




LQVVDCCDWR Q P DOXDO
VNIG SODWH I R U VWHUHQJ UR GV

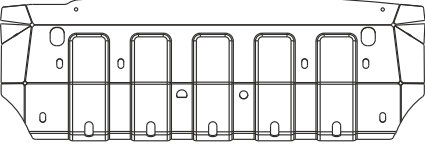


MHHS Z udqj du_{5/3} DWDZ G

534; 0 

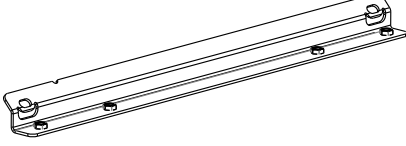
VNLG S ODWH I R U VWHHULQJ UR GV Lqvwadwlr q Lqvwxfwlr qv
MHHS Z udqj dhu

A Vnlg s~~odwh~~



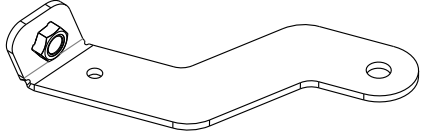
P dlq s duw [4

B E udf nhw



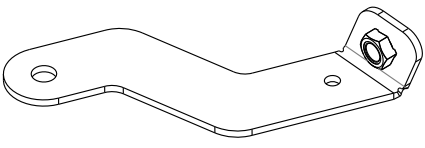
[4

C E udf nhw



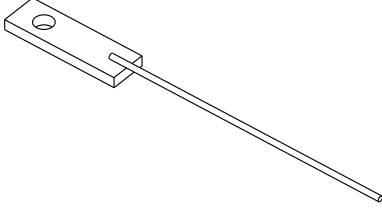
[4

D E udf nhw



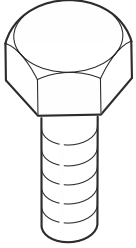
[4

E QG 6336 O@483



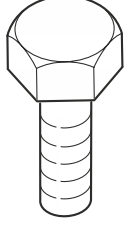
[5

F P 43 { 53 Er ow



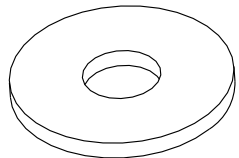
[7

G P 43 { 63 Er ow



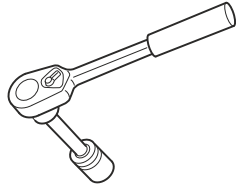
[7

H Ø43 Z dvkhu

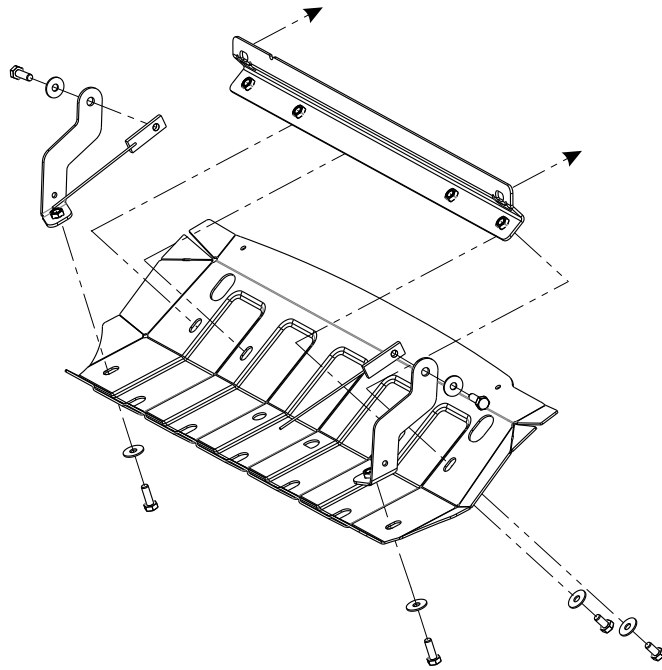


[;

W r α Uht x lhg =



Ratchet with extension cord

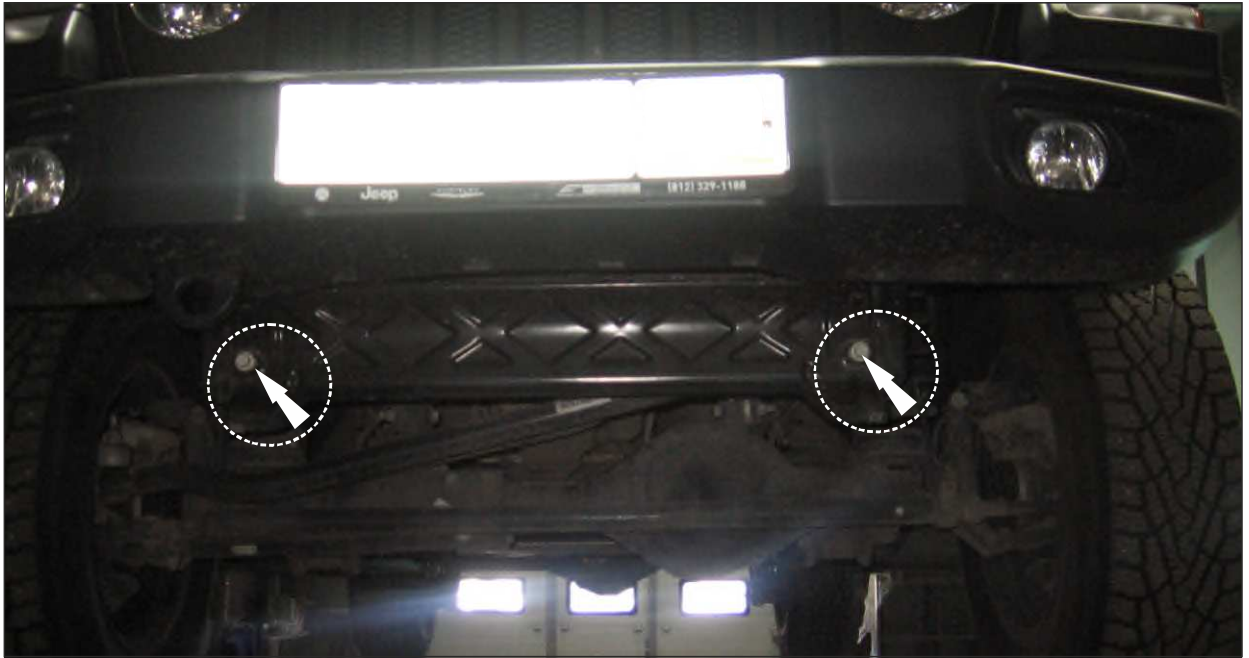


1 Uhp ryh vk h s æv vlf gxv vhu l



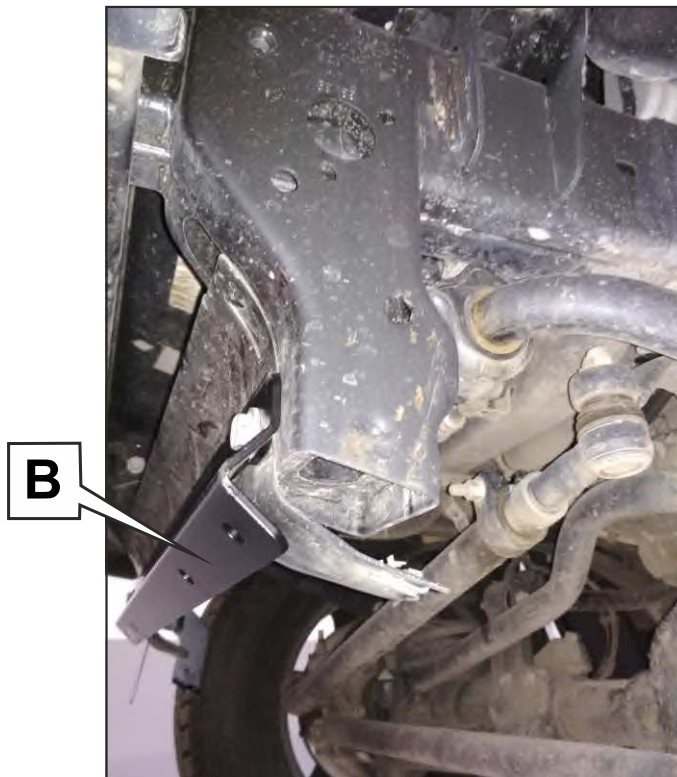
2

Uhp ryh vkh vkrz q er ow1



3

Lqvvdovkh eudf nhw+E, r q vkh vvoggdug kr dhv dv vkrz q lq vkh slf vx uh1
Wj kvnq doidvvnqlqj sr lnw1



4

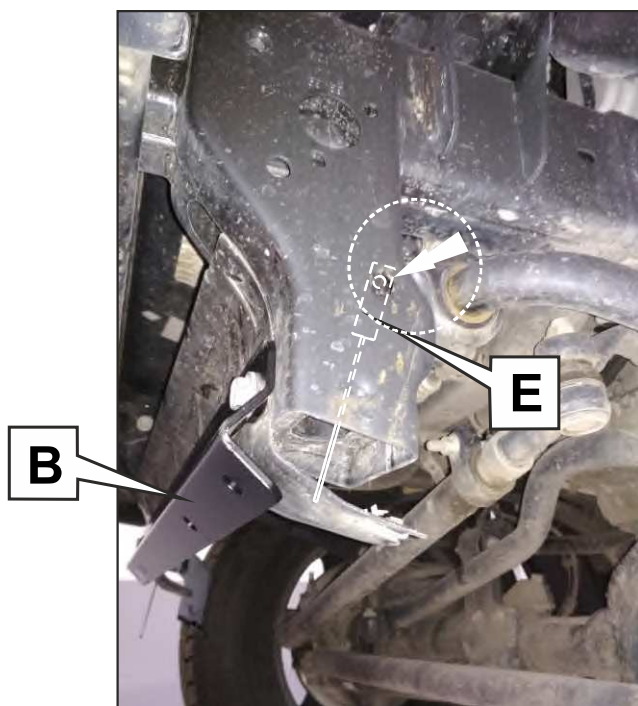
5

R q vkh uj kwlgh/lqvhuwk h QG 6336 00483 +H, iur p ehσ z lqw vkh yhuwf dos duwr i vkh xqghuudp h1I l{ vkh eudf nhw+G, w vkh uhf hlyhg s r lqw z lvk vkh er σP 43 { 63 +j , dqg z dvkhu Ø43 +K, / dv vkrz q lq vkh slf vxuh1 Gr vkh vdp h r q vkh dhiwlg h/xvlqj vkh eudf nhw+F, 1

6

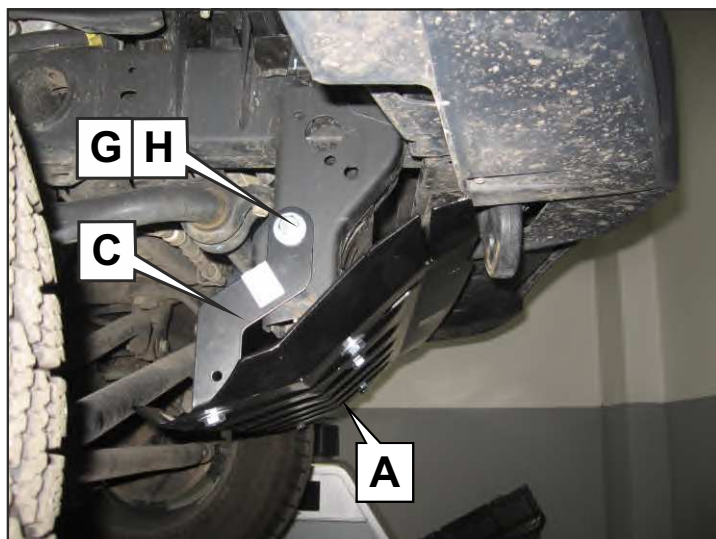
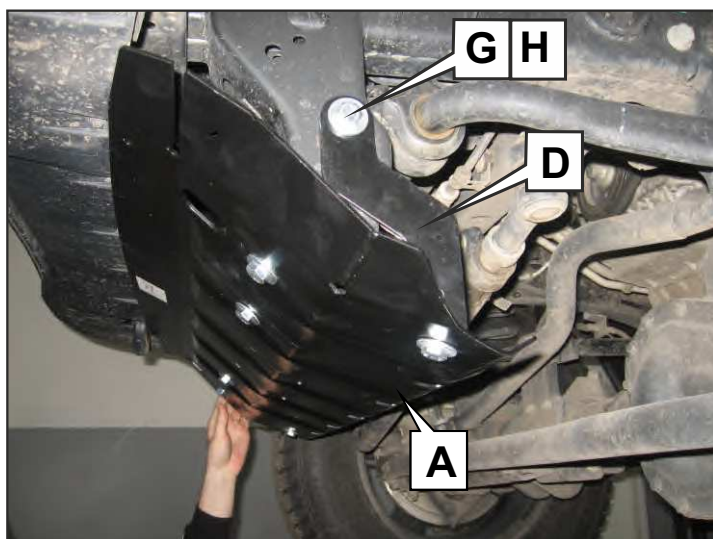
Lqvvdovk h vnlg s σv h +D, w vkh lqvvdovk eudf nhw +E, / +G, / +F, / xvlqj er σ P 43 { 53 +I , dqg z dvkhu Ø43 +K, 1Wj kvnq dσidvvhqlqj s r lqw1

4



5

6



Engine bay and transmission elements skid plate has been designed and manufactured by LLC Metalloproduksia. Product conforms to TOR 4591-001-25888788-2006 requirements. Product design is protected by model copyright certificates №89059, 15980, 15981, 15982, 15983. Patented in Russian Federation.

INSTALLATION:

Engine bay and transmission elements skid plate has been designed particularly for a certain vehicle. It should be mounted according to the producer's installation instruction by a dedicated dealer or on certified service stations. The skid plate is fixed to regular apertures located on vehicle's body load-bearing elements. In case of correct installation the skid plate should not interfere with any vehicle's units and components.

OPERATING CONDITIONS:

Engine bay and transmission elements skid plate has been designed to operate in conditions specified by vehicle's producer. Cases of crush or driving into obstacles at a speed should be excluded during exploitation. In case of head-on crush it is necessary to assure in absence of damages of vehicle's components and units and availability of roadworthiness on certified service stations.

WARRANTY:

Warranty period - 12 months.

WARRANTY TERMS:

The skid plate should be installed on a vehicle with undamaged body and load-bearing elements (vehicle, which has never been involved in road traffic accident);

There are no mechanical damages of the skid plate resulting from head-on crush. All requirements to skid plate installation should be satisfied;

There are no mechanical damages of powder coating.

Producer does not bear liability for damages caused to the vehicle, health and life of people in case of installation and exploitation terms violation. Producer has a right to introduce changes into the skid plate construction.

ENVIRONMENTAL PROTECTION

Dispose of packaging properly. It is recommended to take it for recycling. Don't forget about environmental protection.

